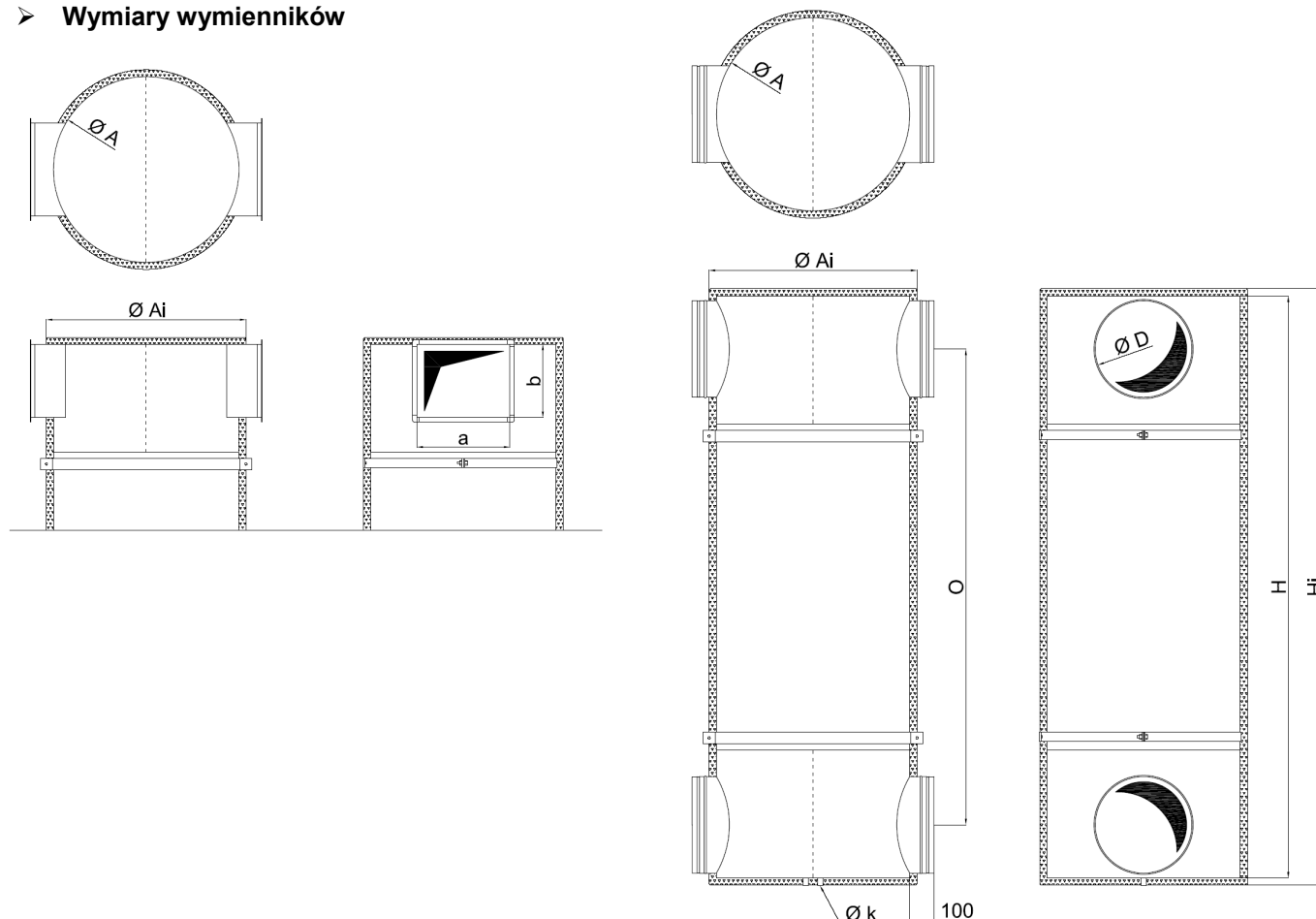


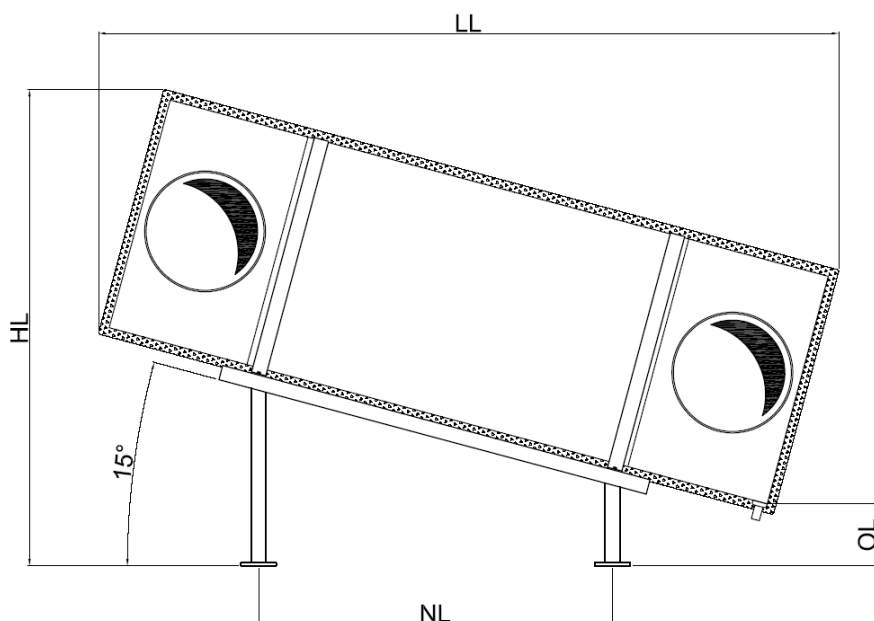
➤ **Wymiary wymienników**



| Typ wymiennika | A | Ai | D | opcja axb | H | Hi | k | O | Waga [kg] |
|----------------|------|------|-----|-----------|------|------|----|------|-----------|
| WS 350 | 350 | 410 | 160 | - | 1770 | 1830 | 12 | 1570 | 35 |
| WS 400 | 400 | 460 | 200 | - | 1850 | 1910 | 12 | 1610 | 41 |
| WS 450 | 450 | 510 | 250 | - | 1950 | 2010 | 16 | 1660 | 51 |
| WS 500 | 500 | 560 | 250 | - | 1950 | 2010 | 16 | 1660 | 58 |
| WS 550 | 550 | 610 | 315 | 315x250 | 2080 | 2140 | 16 | 1725 | 67 |
| WS 600 | 600 | 660 | 315 | 315x250 | 2140 | 2200 | 16 | 1765 | 77 |
| WS 700 | 700 | 760 | 355 | 400x200 | 2220 | 2280 | 20 | 1800 | 101 |
| WS 800 | 800 | 860 | 400 | 400x315 | 2310 | 2370 | 32 | 1850 | 126 |
| WS 900 | 900 | 960 | 450 | 500x315 | 2410 | 2470 | 32 | 1900 | 155 |
| WS 1000 | 1000 | 1060 | 500 | 500x400 | 2510 | 2570 | 32 | 1950 | 186 |
| WS 1100 | 1100 | 1160 | 560 | 630x400 | 2630 | 2690 | 32 | 2010 | 221 |
| WS 1200 | 1200 | 1260 | 630 | 630x500 | 2770 | 2830 | 32 | 2080 | 259 |
| WS 1300 | 1300 | 1360 | 710 | 800x500 | 2930 | 2990 | 32 | 2160 | 300 |
| WS 1350 | 1350 | 1410 | 710 | 800x560 | 2930 | 2990 | 32 | 2160 | 325 |
| WS 1400 | 1400 | 1460 | 800 | 800x630 | 3110 | 3170 | 32 | 2250 | 365 |

Uwaga: Wymienniki z króćcami prostokątnymi mogą mieć mniejsze wymiary – H, Hi, B – od 100 do 400 mm w zależności od wymiarów króćców

Oznaczenie: **WS.../D lub axb/ BB-BB**



| Typ wymiennika | LL | HL | OL | NL |
|-----------------------|-----------|-----------|-----------|-----------|
| WS 350 | 1 880 | 1 050 | 210 | 1 200 |
| WS 400 | 1 965 | 1 115 | 210 | 1 200 |
| WS 450 | 2 070 | 1 185 | 210 | 1 200 |
| WS 500 | 2 085 | 1 235 | 210 | 1 200 |
| WS 550 | 2 220 | 1 315 | 210 | 1 200 |
| WS 600 | 2 290 | 1 380 | 210 | 1 200 |
| WS 700 | 2 390 | 1 495 | 210 | 1 200 |
| WS 800 | 2 510 | 1 615 | 210 | 1 200 |
| WS 900 | 2 630 | 1 740 | 210 | 1 200 |
| WS 1000 | 2 755 | 1 860 | 210 | 1 200 |
| WS 1100 | 2 895 | 1 990 | 210 | 1 200 |
| WS 1200 | 3 060 | 2 120 | 210 | 1 200 |
| WS 1300 | 3 240 | 2 260 | 210 | 1 200 |
| WS 1350 | 3 240 | 2 305 | 210 | 1 200 |
| WS 1400 | 3 430 | 2 395 | 210 | 1 200 |